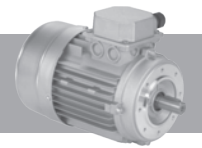
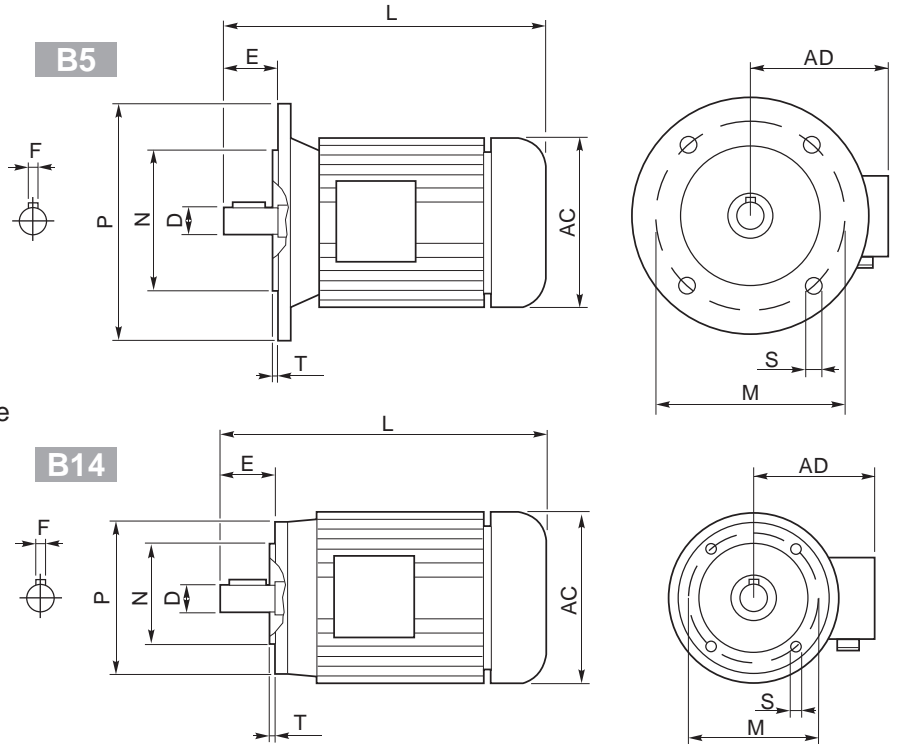


# Aluminum IEC motors



- 1) 230/400V - 50Hz three-phase asynchronous induction motor
- 2) Class F insulation
- 3) S1 duty
- 4) IP 55 protection
- 5) Not painted
- 6) Hard plastic sleeve to protect output shaft during the transportation

- 1) 230/400V - 50Hz motore trifase asincrono
- 2) Isolamento Classe F
- 3) S1 servizio continuo
- 4) Protezione IP 55
- 5) Non verniciato
- 6) Manicotto di protezione per l'albero motore



Outside dimensions and weight may be different according to manufacturers.  
Le dimensioni esterne e il peso sono indicative, possono variare tra i vari costruttori.

	2 poli / poles			4 poli / poles			6 poli / poles			B5-B14					B5					B14					Kg	
	kW	Nm	A <sub>(400V)</sub>	kW	Nm	A <sub>(400V)</sub>	kW	Nm	A <sub>(400V)</sub>	D	F	E	L	AC	AD	N	M	P	S	T	N	M	P	S		T
<b>56 A</b>	0.09	0.32	0.38	<b>0.06</b>	0.44	0.27	—	—	—	9	3	20	199	108	96	80	100	120	7	2.5	50	65	80	M5	2.5	2.7
<b>56 B</b>	0.12	0.42	0.46	<b>0.09</b>	0.67	0.37	—	—	—																	2.9
<b>63 A</b>	0.18	0.63	0.60	<b>0.12</b>	0.84	0.50	<b>0.09</b>	0.99	0.57	11	4	23	208	120	99	95	115	140	9.5	3	60	75	90	M5	2.5	3.8
<b>63 B</b>	0.25	0.87	0.76	<b>0.18</b>	1.30	0.69	<b>0.12</b>	1.32	0.74																	4.2
<b>71 A</b>	0.37	1.30	1.00	<b>0.25</b>	1.70	0.91	<b>0.18</b>	1.90	0.80	14	5	30	-	130	104	110	130	160	9.5	3.5	70	85	105	M6	2.5	5.9
<b>71 B</b>	0.55	1.90	1.54	<b>0.37</b>	2.52	1.14	<b>0.25</b>	2.72	1.10				255	141	107											6.5
<b>80 A</b>	0.75	2.60	1.85	<b>0.55</b>	3.77	1.51	<b>0.37</b>	3.84	1.18	19	6	40	296	159	127	130	165	200	11.5	3.5	80	100	120	M6	3	8.5
<b>80 B</b>	1.1	3.90	2.64	<b>0.75</b>	5.11	2.57	<b>0.55</b>	5.84	1.80																	10
<b>90 S</b>	1.5	5.00	3.31	<b>1.1</b>	7.45	2.78	<b>0.75</b>	7.92	2.32	24	8	50	-	170	135	130	165	200	11.5	3.5	95	115	140	M8	3	12.5
<b>90 L</b>	2.2	7.50	4.46	<b>1.5</b>	10.2	3.61	<b>1.1</b>	11.6	3.45				330													15
<b>100 LA</b>	3.0	10.0	6.28	<b>2.2</b>	14.8	5.07	<b>1.5</b>	15.4	3.88																	20
<b>100 LB</b>	—	—	—	<b>3.0</b>	20.1	6.66	—	—	—	28	8	60	-	190	148	180	215	250	13	4	110	130	160	M8	3.5	22
<b>112 M</b>	4.0	13.4	8.10	<b>4.0</b>	26.7	8.55	<b>2.2</b>	22.6	5.30				381	210	164											35
<b>132 S</b>	5.5	18.3	11.2	<b>5.5</b>	36.5	11.4	<b>3.0</b>	30.2	7.20	38	10	80	455	244	180	230	265	300	14	4	130	165	200	M10	4	41
	7.5	24.9	15.3																							51
<b>132 M</b>	—	—	—	<b>7.5</b>	49.4	15.0	<b>4.0</b>	40.0	9.13	38	10	80	500	244	180	230	265	300	14	4	130	165	200	M10	4	51
	—	—	—																							<b>9</b>
<b>160 M</b>	—	—	—	<b>11</b>	72	21.5	—	—	—	42	12	110	613	335	246	250	300	350	18	5	—	—	—	—	—	79.2
<b>160 L</b>	—	—	—	<b>15</b>	98	29	—	—	—				657													97.5
<b>180 M</b>	—	—	—	<b>18.5</b>	121	35.5	—	—	—	48	14	110	712	366	266	250	300	350	19	5	—	—	—	—	—	170
<b>180 L</b>	—	—	—	<b>22</b>	144	42	—	—	—																	—
<b>200 L</b>	—	—	—	<b>30</b>	196	53	—	—	—	55	16	110	780	405	341	300	350	400	19	5	—	—	—	—	—	240
<b>225 S</b>	—	—	—	<b>37</b>	240	69	—	—	—	60	18	140	888	463	360	350	400	450	19	5	—	—	—	—	—	305
<b>225 M</b>	—	—	—	<b>45</b>	292	84	—	—	—																	310