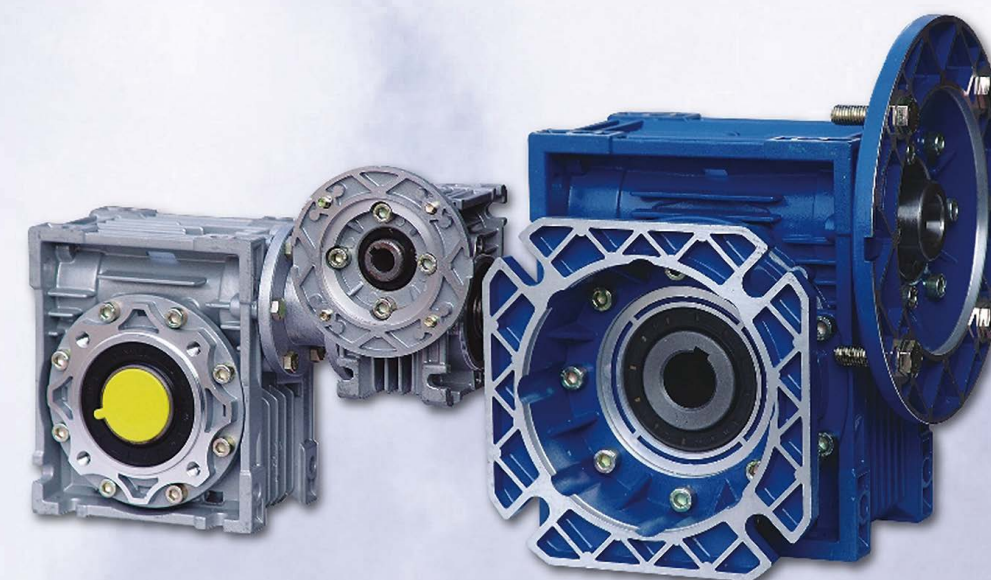




NMRV蜗轮减速器系列

NMRV worm-gear speed reducer series



台州市金维达电机有限公司
Taizhou JWD Motor Co.,Ltd.

地址：浙江省台州市椒江东太和路98-3号

Add: No.98-3 Dongtaihe Road,Jiaojiang,Taizhou,Zhejiang,China

电话Tel: 0086-576-88888290 88888730

传真Fax: 0086-576-88880181

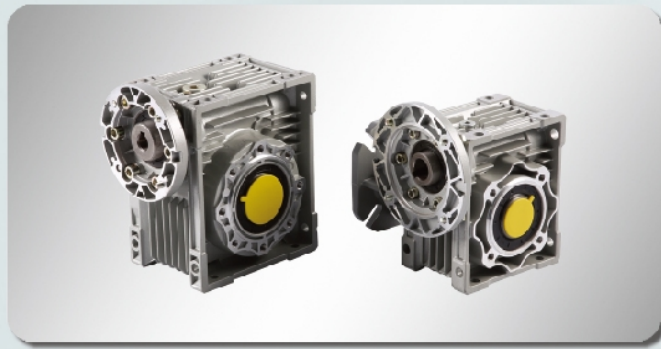
邮编P.C.: 318000

E-mail: jwd@jwdmotor.com.ua

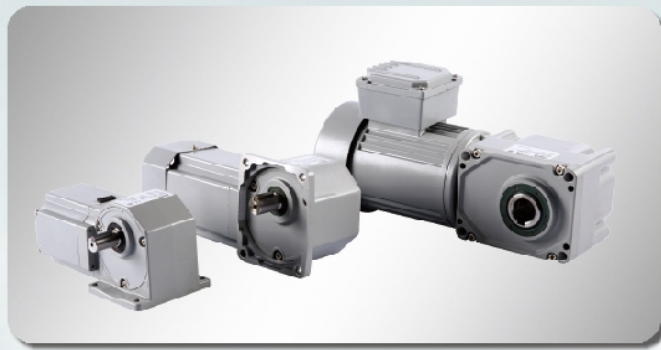
<http://www.jwdmotor.com.ua>

2017年2月版

JWD MOTOR CO.,LTD.



蜗轮减速机系列
WORM-GEAR MOTOR SERIES



HG直交轴齿轮减速电机系列
HG HYPOID GEAR MOTOR SERIES



小型齿轮减速电机系列
SMALL GEAR MOTOR SERIES



伺服电机·驱动系统·行星减速机
SERVO MOTOR & DRIVE SYSTEM & PLANETARY GEARHEAD

高强度·长寿命·低噪音 金维达减速电动机系列

质量方针：品质如金 顾客为本

公司目的：顾客满意

公司愿望：所有顾客—直接的或间接的—要求都应该得到满足
持续改进总体业绩是公司的一个永恒目标

Principle for quality: Take quality as gold and take customer as the foundation

Company goal: Customers are satisfied with our products.

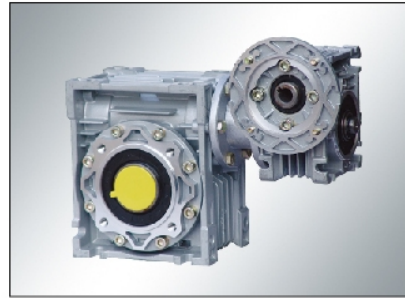
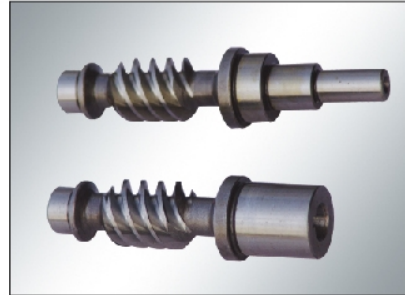
Company desire: Demands of all customers—whether they are direct or indirect—should be satisfied.

A continuous improvement of overall achievements is an eternal goal of the company.

注意事项 Attention items:

- 1、客户按设备所给定的指标，选择具有相应技术参数的电机；
 - 2、在定货时应标明电机的功率、电源电压及所需的转速（或速比）；
 - 3、若有调整，恕不告知，请谅解。咨询事宜与本公司经营部、技术部联系。
绕组引出线不承受外力！电机安装使用前应接地！
- 1、The customer shall select the motors with relative technical parameters according to given index data of the equipment;
 - 2、The power ,voltage and required speed(or speed ratio)shall be indicated clearly on the motor during order;
 - 3、Please forgive us not to inform you any adjustment if that happened. Please not hesitate to contact business department and technology department of our company if you require consulting any further questions.
The outgoing wire of the winding shall not bear any forces! Please ground it before the installation of the motor!

本样本内容如有改动，恕不另通知。
Please forgive us not to inform you any adjustment if this sample book is changed.



金维达电机有限公司的NMRV蜗轮减速器系列产品依据蜗轮、蜗杆啮合原理，配以标准化蜗轮箱、配件，速比达到1:5~1:100，适当搭配成的双联减速器的速比可达到1:300~1:3200；以及多样式的选配件，满足您全方位的需求。

公司获得GB/T19001-2008/ISO9001:2008质量管理体系认证注册。
金维达减速电机获得CCC认证和CE认证。

Provided by JWD Motor Co., Ltd, NMRV products based on worm-gear reducer, worm engagement theory, with the standard worm gear box, parts, its ratio could be 1:5~1:100, the appropriate mix into the double-reducer speed ratio up to 1:300~1:3200; and a wide variety of accessories to meet your all needs.

The company has been passed the attestation of GB/T19001-2008/ISO9001:2008 Quality management system.

JWD gear motor has also been assed the attestation of European Communities and attestation.

目录 Contents

蜗轮减速器型号含义 Type meaning of the NMRV	4
蜗轮减速器性能参数 The performance parameters of the NMRV	5
蜗轮减速器结构图 The structure of the NMRV	8
蜗轮减速器外形及安装尺寸图 The outline & installation size of the NMRV	8
双联蜗轮减速器型号含义 Type meaning of the NMRV/NMRV	11
双联蜗轮减速器性能参数 The performance parameters of the NMRV/ NMRV	12
双联蜗轮减速器外形及安装尺寸图 The outline & installation size of the NMRV/ NMRV	13
选配件外形及安装尺寸图 The outline & installation size of the options	14
安装方位图 Installation position diagram NMRV NMRV/ NMRV 选配件options	15
使用与保养/用油 The operation & maintenance /with oil	17

● 特点 Characteristic

- 1、优质铝合金铸造，重量轻，不生锈。
- 2、输出扭矩大。
- 3、传动平稳，噪音小。
- 4、散热效率高。
- 5、美观耐用、体积小。
- 6、可适应全方位安装。

- 1、 Made of high-quality aluminum alloy, light in weight and non-rusty.
- 2、 Large in output torque.
- 3、 Smooth in running and low in noise.
- 4、 High in radiating efficiency.
- 5、 Good-looking in appearance, durable in service life and small in volume.
- 6、 Suitable for Omni installation.



● 用途 Application

NMRV系列蜗轮减速器及其衍生组合的减速器可随意地用于包装、酿酒、化工、纺织、印刷、造纸、木材、陶瓷、环保等制造业及其他有调速要求的自动化流水线作业的配套设备上。

NMRV series worm-gear speed reducer , its derived and combined speed reducers, could be used on associated equipment of packaging, brewing, chemical, textile, printing, papermaking, wood ceramics assembly lines that have speed regulation requirement as desired.



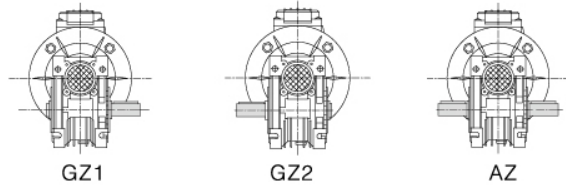
● 蜗轮减速器型号含义
Type meaning of the NMRV

NMRV 063-40 E F1 AZ B3



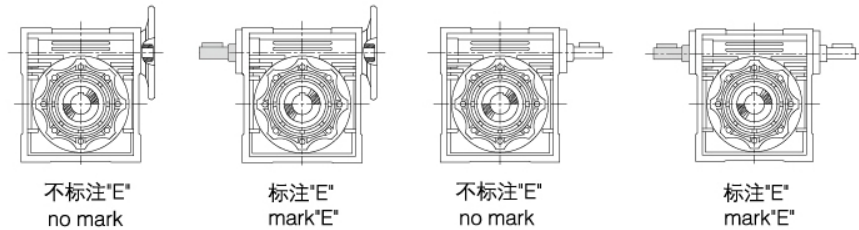
安装方位代号 Installation position code (详见第15页see page15)

输出轴位置 Position of output shaft (尺寸见第14页see page14)
标注“GZ1”或“GZ2”为带单向输出轴 “GZ1” or “GZ2” means one-way output shaft
标注“AZ”为带双向输出轴 “AZ” means two-way output shaft
不标注为孔输出 no mark means hole output shaft



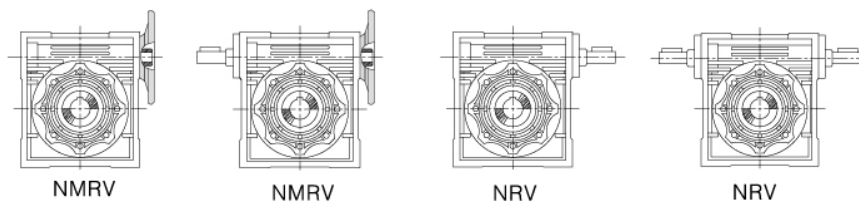
带输出法兰, 不标注时不带输出法兰 (详见第16页see page16)
With output Flange, no mark means without

蜗杆同向实芯输出轴位置 Position of the extended output shaft
标注“E”为带同向输出轴; “E” means with the extended output shaft
不标注为不带 no mark means without



蜗轮减速器速比 ratio (i)
蜗轮减速器中心距 Centre-to-Centre spacing of worm-gear speed reducer

蜗轮减速器代号 Code of worm-gear speed reducer
NMRV为带输入法兰的孔输入, NRV为不带输入法兰的轴输入
NMRV mark means hole input shaft with input flange. NRV mark means solid input shaft without input flange



电动机 Motor	型号 Model	速比 i	输出转速 n2(r/min)	输出扭矩 N2(N.m)
0.06KW 4P n1=1400r/min	NMRV025	7.5	186	2.6
	NMRV030	7.5	186	2.6
	NMRV025	10	140	3.4
	NMRV030	10	140	3.4
	NMRV025	15	94	4.9
	NMRV030	15	94	4.7
	NMRV025	20	70	6.1
	NMRV030	20	70	6
	NMRV025	25	56	7
	NMRV025	30	47	8.2
	NMRV030	30	47	8
	NMRV025	40	35	10.2
	NMRV030	40	35	9.7
	NMRV025	50	28	11
	NMRV030	50	28	11.3
	NMRV040	50	28	12.7
	NMRV025	60	24	11
	NMRV030	60	24	12.5
	NMRV040	60	24	14.2
	0.09KW 4P n1=1400r/min	NMRV030	80	18
NMRV040		80	18	17
NMRV040		100	14	19.2
NMRV025		7.5	186	3.9
NMRV030		7.5	186	3.9
NMRV025		10	140	5.1
NMRV030		10	140	5
NMRV025		15	94	7.3
NMRV030		15	94	7.1
NMRV025		20	70	9.2
NMRV030		20	70	9
NMRV030		25	56	10.4
NMRV025		30	47	12.3
NMRV030		30	47	12
NMRV025		40	35	13
NMRV030		40	35	14.5
NMRV030		50	28	16.9
NMRV040		50	28	19
NMRV030		60	24	16.9
NMRV040		60	24	21.4
NMRV040	80	18	25.5	
NMRV040	100	14	28.9	
0.12KW 4P n1=1400r/min	NMRV030	7.5	186	5.2
	NMRV040	7.5	186	5.3
	NMRV030	10	140	6.7
	NMRV040	10	140	7
	NMRV030	15	94	9.5
	NMRV040	15	94	10.1
	NMRV030	20	70	12
	NMRV040	20	70	12.8
	NMRV030	25	56	13.9

电动机 Motor	型号 Model	速比 i	输出转速 n2(r/min)	输出扭矩 N2(N.m)
0.12KW 4P n1=1400r/min	NMRV040	25	56	15.3
	NMRV030	30	47	16
	NMRV040	30	47	17.2
	NMRV030	40	35	17
	NMRV040	40	35	21.3
	NMRV050	40	35	21.9
	NMRV040	50	28	25.4
	NMRV050	50	28	25.8
	NMRV040	60	24	28.5
	NMRV050	60	24	29
0.18KW 4P n1=1400r/min	NMRV040	80	18	34.1
	NMRV050	80	18	34.7
	NMRV050	100	14	40.1
	NMRV030	7.5	186	8
	NMRV040	7.5	186	8
	NMRV030	10	140	10
	NMRV040	10	140	10
	NMRV030	15	94	14
	NMRV040	15	94	15
	NMRV030	20	70	18
0.25KW 4P n1=1400r/min	NMRV040	20	70	19
	NMRV030	25	56	20
	NMRV040	25	56	23
	NMRV040	30	47	26
	NMRV040	40	35	32
	NMRV050	40	35	32
	NMRV040	50	28	38
	NMRV050	50	28	38
	NMRV050	60	24	34
	NMRV050	80	18	53
0.12KW 4P n1=1400r/min	NMRV050	100	14	55
	NMRV040	7.5	186	11
	NMRV050	7.5	186	11
	NMRV040	10	140	14
	NMRV050	10	140	14
	NMRV040	15	94	20
	NMRV050	15	94	21
	NMRV040	20	70	26
	NMRV050	20	70	26
	NMRV040	25	56	31
0.12KW 4P n1=1400r/min	NMRV050	25	56	32
	NMRV040	30	47	36
	NMRV050	30	47	36
	NMRV040	40	35	44
	NMRV050	40	35	45
	NMRV050	50	28	53
	NMRV050	60	24	60
	NMRV050	80	18	65
	NMRV063	80	18	77
	NMRV050	100	14	55
NMRV063	100	14	85	

蜗轮减速器性能参数
Performance parameter for NMRV



电动机 Motor	型号 Model	速比 i	输出转速 n2(r/min)	输出扭矩 N2(N.m)
0.37KW 4P n1=1400r/min	NMRV040	7.5	186	16
	NMRV050	7.5	186	16
	NMRV040	10	140	21
	NMRV050	10	140	21
	NMRV040	15	94	30
	NMRV050	15	94	31
	NMRV040	20	70	39
	NMRV050	20	70	39
	NMRV050	25	56	47
	NMRV050	30	47	54
	NMRV050	40	35	66
	NMRV063	40	35	70
	NMRV050	50	28	73
	NMRV063	50	28	83
	NMRV063	60	24	95
	NMRV063	80	18	114
NMRV063	100	14	118	
0.55KW 4P n1=1400r/min	NMRV040	7.5	186	24.5
	NMRV050	7.5	186	25
	NMRV040	10	140	32
	NMRV050	10	140	32
	NMRV050	15	94	46
	NMRV063	15	94	46
	NMRV050	20	70	59
	NMRV063	20	70	60
	NMRV063	25	56	72
	NMRV063	30	47	80
	NMRV063	40	35	104
	NMRV075	40	35	108
	NMRV063	50	28	123
	NMRV075	50	28	129
	NMRV075	60	24	146
	NMRV075	80	18	180
NMRV075	100	14	180	
0.75KW 4P n1=1400r/min	NMRV050	7.5	186	34
	NMRV063	7.5	186	33
	NMRV050	10	140	44
	NMRV063	10	140	44
	NMRV050	15	94	63
	NMRV063	15	94	63
	NMRV063	20	70	82
	NMRV063	25	56	99
	NMRV063	30	47	109
	NMRV075	30	47	116
	NMRV063	40	35	143
	NMRV075	40	35	147
	NMRV075	50	28	176
	NMRV090	50	28	184
	NMRV075	60	24	200
	NMRV090	60	24	212
NMRV090	80	18	257	
NMRV090	100	14	270	

电动机 Motor	型号 Model	速比 i	输出转速 n2(r/min)	输出扭矩 N2(N.m)
1.1KW 4P n1=1400r/min	NMRV063	7.5	186	49
	NMRV075	7.5	186	49
	NMRV063	10	140	65
	NMRV075	10	140	66
	NMRV063	15	94	93
	NMRV075	15	94	95
	NMRV063	20	70	121
	NMRV075	20	70	122
	NMRV075	25	56	149
	NMRV075	30	47	170
	NMRV075	40	35	216
	NMRV090	40	35	225
	NMRV090	50	28	271
	NMRV090	60	24	311
	NMRV110	60	24	324
	NMRV110	80	18	410
NMRV110	100	14	460	
1.5KW 4P n1=1400r/min	NMRV075	7.5	186	67
	NMRV075	10	140	90
	NMRV063	15	94	130
	NMRV075	20	70	167
	NMRV075	25	56	200
	NMRV090	25	56	209
	NMRV075	30	47	230
	NMRV090	30	47	236
	NMRV090	40	35	306
	NMRV090	50	28	369
	NMRV110	50	28	375
	NMRV110	60	24	442
	NMRV110	80	18	490
	NMRV130	80	18	547
	NMRV130	100	14	652
	2.2KW 4P n1=1400r/min	NMRV090	7.5	186
NMRV110		7.5	186	101
NMRV090		10	140	133
NMRV110		10	140	133
NMRV090		15	94	193
NMRV110		15	94	192
NMRV090		20	70	251
NMRV110		20	70	256
NMRV090		25	56	307
NMRV110		25	56	316
NMRV090		30	47	346
NMRV110		30	47	355
NMRV110		40	35	462
NMRV110		50	28	550
NMRV130		50	28	567
NMRV130		60	24	660
NMRV130	80	18	803	
NMRV150	50	28	570	
NMRV150	60	23.3	657	
NMRV150	80	17.5	816	
NMRV150	100	14	960	

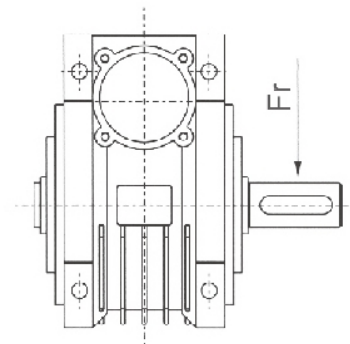
蜗轮减速器性能参数
Performance parameter for NMRV



电动机 Motor	型号 Model	速比 i	输出转速 n2(r/min)	输出扭矩 N2(N.m)	
3.0KW 4P n1=1400r/min	NMRV110	7.5	186	138	
	NMRV110	10	140	182	
	NMRV110	15	94	263	
	NMRV110	20	70	350	
	NMRV110	25	56	431	
	NMRV110	30	47	484	
	NMRV110	40	35	631	
	NMRV130	40	35	642	
	NMRV130	50	28	773	
	NMRV130	60	24	900	
	NMRV150	50	28	570	
	NMRV150	60	23.3	896	
	NMRV150	80	17.5	1110	
	4.0KW 4P n1=1400r/min	NMRV110	7.5	186	184
		NMRV130	7.5	186	186
		NMRV110	10	140	243
NMRV130		10	140	242	
NMRV110		15	94	352	
NMRV130		15	94	357	
NMRV110		20	70	464	
NMRV130		20	70	466	
NMRV110		25	56	573	
NMRV130		25	56	572	

电动机 Motor	型号 Model	速比 i	输出转速 n2(r/min)	输出扭矩 N2(N.m)
4.0KW 4P n1=1400r/min	NMRV110	30	47	646
	NMRV130	30	47	655
	NMRV130	40	35	857
	NMRV130	50	28	980
	NMRV150	50	28	1023
	NMRV150	60	23.3	1195
5.5KW 4P n1=1400r/min	NMRV110	7.5	186	253
	NMRV130	7.5	186	256
	NMRV110	10	140	334
	NMRV130	10	140	334
	NMRV110	15	94	484
	NMRV130	15	94	490
	NMRV130	20	70	645
	NMRV130	25	56	788
	NMRV130	30	47	900
	NMRV150	20	70	645
	NMRV150	25	56	788
	NMRV150	30	46.7	934
7.5KW 4P n1=1400r/min	NMRV150	40	35	1171
	NMRV110	7.5	186	345
	NMRV130	7.5	186	349
	NMRV110	10	140	455
	NMRV130	10	140	455
	NMRV130	15	94	667
11KW 4P n1=1400r/min	NMRV130	20	70	880
	NMRV130	25	56	1074
	NMRV150	20	70	880
	NMRV150	25	56	1074
15KW 4P n1=1400r/min	NMRV150	7.5	186.7	512
	NMRV150	10	140	675
15KW 4P n1=1400r/min	NMRV150	15	93.3	990
	NMRV150	7.5	186.7	698
15KW 4P n1=1400r/min	NMRV150	10	140	921

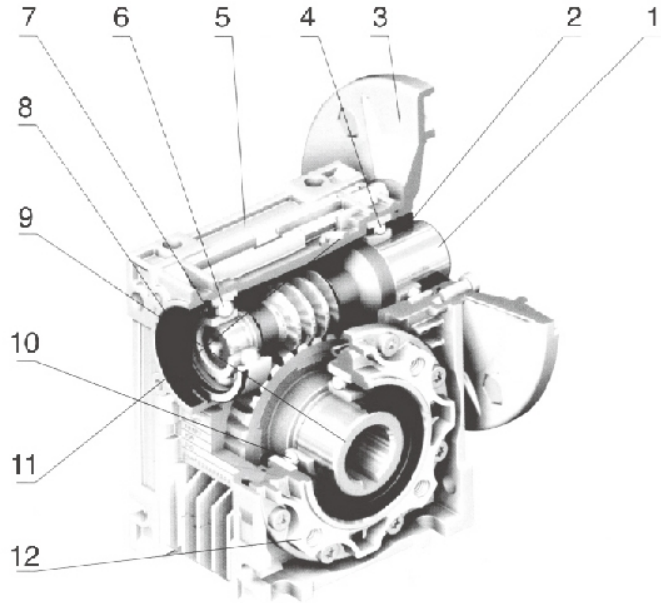
输出轴最大径向力
Max force on output shaft along diameter



单位: N

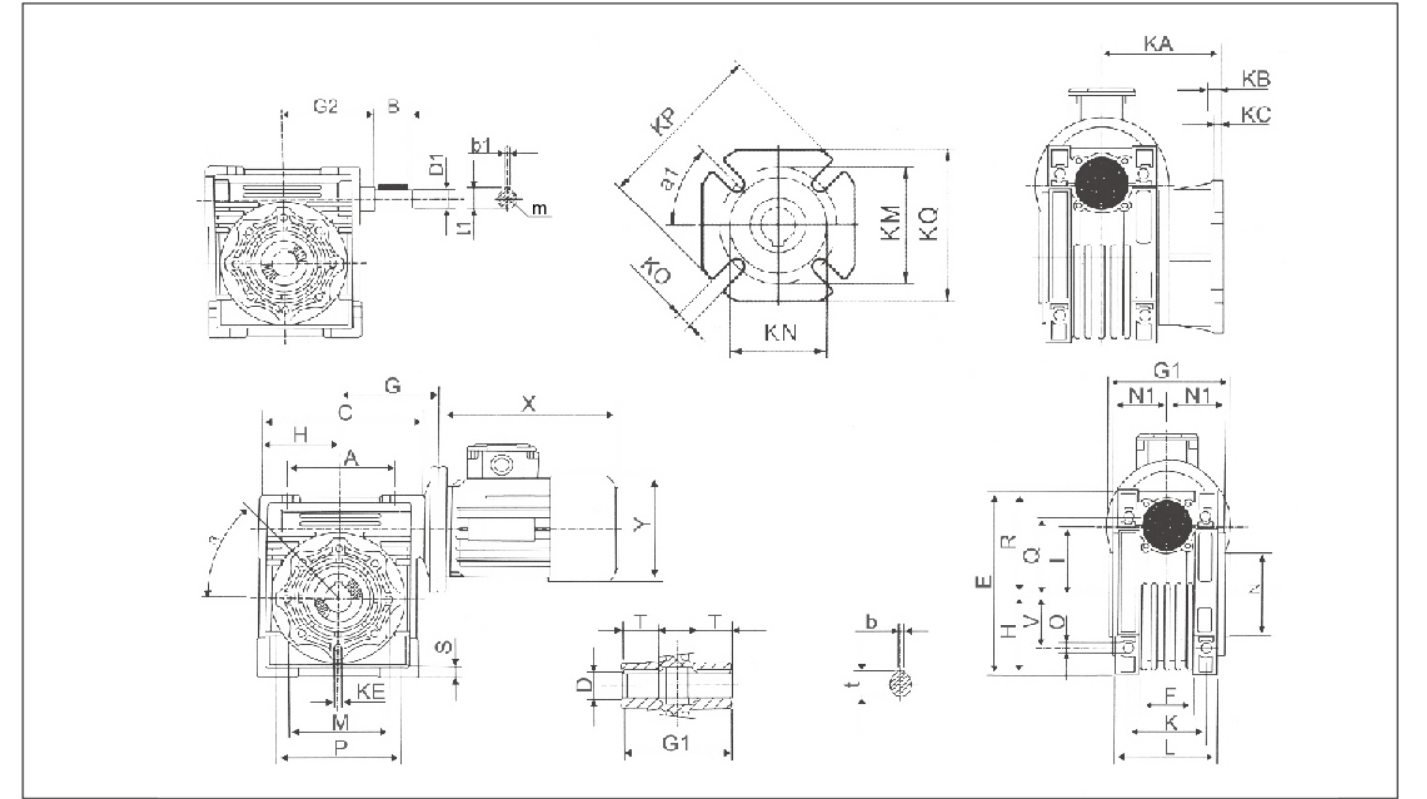
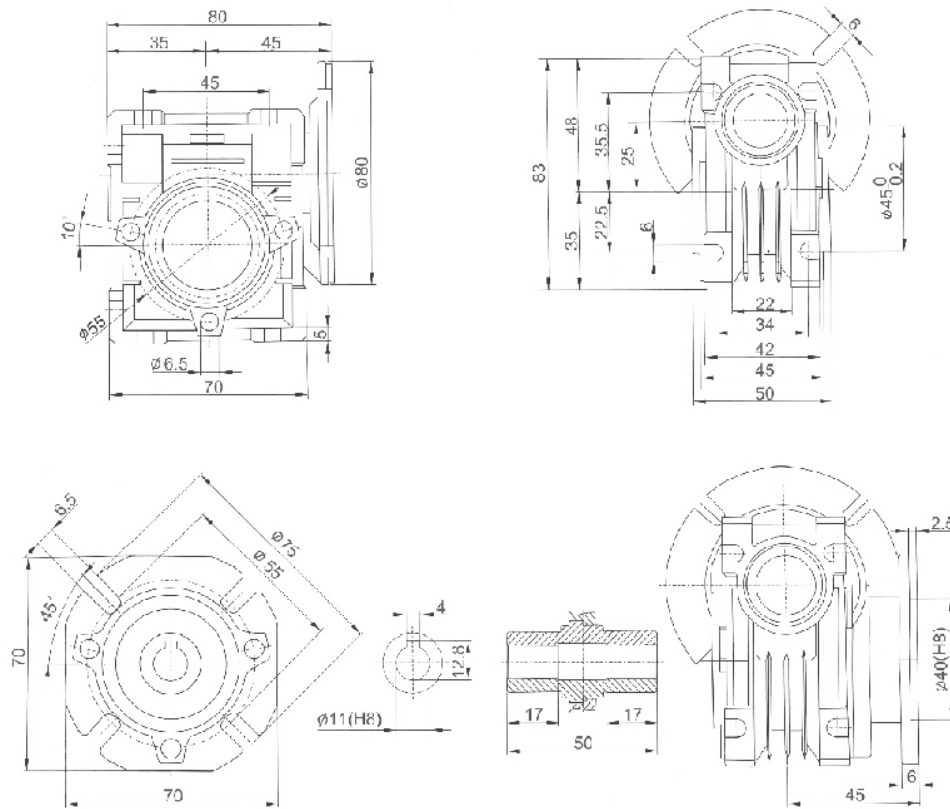
速比 i	输出转速 n2(r/min)	NMRV025	NMRV030	NMRV040	NMRV050	NMRV063	NMRV075	NMRV090	NMRV110	NMRV130
7.5	187	455	695	1338	1845	2395	2816	3121	3939	5151
10	140	625	762	1460	2018	2614	3078	3408	4302	5628
15	93	716	876	1672	2321	3004	3540	3922	4945	6463
20	70	866	962	1845	2557	3315	3902	4325	5657	7130
25	56		1030	1976	2738	3550	4178	4630	5844	7636
30	47	986	1097	2102	2913	3775	4443	4922	6213	8122
40	35	1092	1216	2323	3223	4173	4913	5440	6866	8980
50	28	1134	1310	2496	3466	4486	5282	5846	7380	9652
60	23	1292	1414	2692	3739	4840	5698	6308	7962	10414
80	18	1407	1574	2999	4162	5390	6345	7028	8869	11601
100	14		1702	3244	4501	5830	6862	7604	9594	12550

● 结构图
Structure



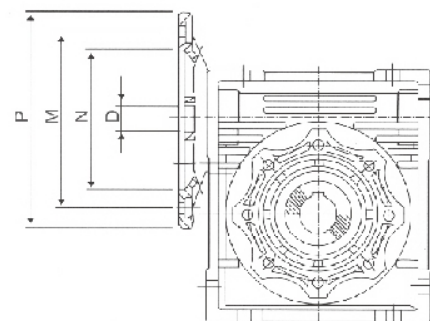
- 1、蜗杆 worm shaft
- 2、油封 oil seal
- 3、法兰 flange
- 4、轴承 bearing
- 5、箱体 housing
- 6、轴承 bearing
- 7、挡圈 snap ring
- 8、油封盖 rubber cover
- 9、蜗轮 worm gear
- 10、轴承 bearing
- 11、透气螺母(油塞) air screw plug(in/out oil)
- 12、端盖 cover

● NMRV025蜗轮减速器外形及安装尺寸
Outline & installation size for NMRV025



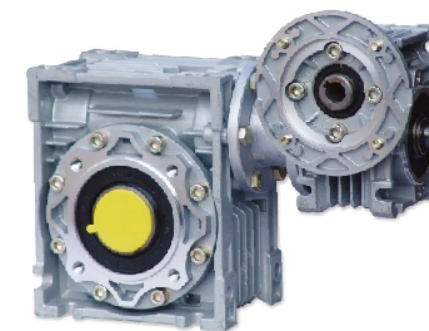
NMRV	A	B	C	D(H7)	D1(J6)	E	F	G	G1	G2	H	I	L	M	N(h8)	N1	O	P	Q	R
030	54	20	80	14	9	97	32	55	63	51	40	30	56	65	55	29	6.5	75	44	57
040	70	23	100	18(19)	11	121.5	43	70	78	60	50	40	71	75	60	36.5	6.5	87	55	71.5
050	80	30	120	25(24)	14	144	49	80	92	74	60	50	85	85	70	43.5	8.5	100	64	84
063	100	40	144	25(28)	19	174	67	95	112	90	72	63	103	95	80	53	8.5	110	80	102
075	120	50	172	28(35)	24	205	72	112.5	120	105	86	75	112	115	95	57	11	140	93	119
090	140	50	208	35(38)	24	238	74	129.5	140	125	103	90	130	130	110	67	13	160	102	135
110	170	60	252.5	42	28	295	-	160	155	142	127.5	110	144	165	130	74	14	200	125	167.5
130	200	80	292.5	45	30	335	-	180	170	162	147.5	130	155	215	180	81	16	250	140	187.5
150	240	80	340	50	35	400	-	210	200	175	170	150	185	215	180	96	16	250	180	230

NMRV	S	T	V	K	KA			KB			KC			KE	a	a1	KM			KN(H8)			KO			KP			KQ			b	b1	m	t	t1	kg
					F	FB	FL	F	FB	FL	F	FB	FL				F	FB	FL	F	FB	FL	F	FB	FL	F	FB	FL	F	FB	FL						
030	5.5	21	27	44	54.5	-	-	6	-	-	4	-	-	M6x11(n,4)	0°	45°	68	-	-	50	-	-	6.5(n,4)	-	-	80	-	-	70	-	-	5	3	-	16.3	10.2	1.2
040	6.5	26	35	60	67	76.5	97	7	9	7	4	5	4	M6x8(n,4)	45°	45°	87	115	87	60	95	60	9(n,4)	9.5(n,4)	9(n,4)	110	140	110	95	-	95	6(6)	4	-	20.8(21.8)	12.5	2.3
050	7	30	40	70	90	87.5	120	9	10	9	5	5	5	M8x10(n,4)	45°	45°	90	130	90	70	110	70	11(n,4)	9.5(n,4)	11(n,4)	125	160	125	110	-	110	8(8)	5	M6	28.3(27.3)	16.0	3.5
063	8	36	50	85	82	99	112	10	11	10	6	5	6	M8x14(n,8)	45°	45°	150	165	150	115	130	115	11(n,4)	11(n,4)	11(n,4)	180	200	180	142	-	142	8(8)	6	M6	28.3(31.3)	21.5	6.2
075	10	40	60	90	111	-	-	13	-	-	6	-	-	M8x14(n,8)	45°	45°	165	-	-	130	-	-	14(n,4)	-	-	200	-	-	170	-	-	8(10)	8	M8	31.3(28.3)	27.0	9
090	11	45	70	100	111	-	-	13	-	-	6	-	-	M10x18(n,8)	45°	45°	175	-	-	152	-	-	14(n,4)	-	-	210	-	-	200	-	-	10(10)	8	M8	38.3(41.3)	27.0	13
110	14	50	85	115	131	-	-	15	-	-	6	-	-	M10x18(n,8)	45°	45°	230	-	-	170	-	-	14(n,4)	-	-	280	-	-	260	-	-	12	8	M10	46.3	31.0	35
130	15	60	100	120	140	-	-	15	-	-	6	-	-	M12x21(n,8)	45°	22.5°	255	-	-	180	-	-	16(n,4)	-	-	320	-	-	290	-	-	14	8	M10	48.8	33.0	48
150	18	72.5	120	145	155	-	-	15	-	-	6	-	-	M12x21(n,8)	45°	22.5°	255	-	-	180	-	-	16(n,4)	-	-	320	-	-	290	-	-	14	10	M12	53.8	38.0	87



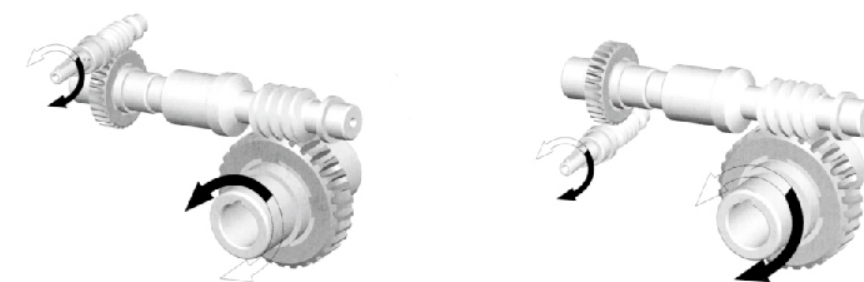
Centre-to-Centre 中心距	Flange type 法兰型号 PAM IEC	N	M	P	i												
					7.5	10	15	20	25	30	40	50	60	80	100		
NMRV025	56B14	50	65	80	9	9	9	9	—	9	9	9	9	—	—		
NMRV030	63B5	95	115	140	11	11	11	11	11	11	11	11	—	—	—		
	63B14	60	75	90	9	9	9	9	9	9	9	9	9	9	—		
	56B5	80	100	120	—	—	—	—	—	—	—	—	9	9	9		
NMRV040	71B5	110	130	160	14	14	14	14	14	14	14	—	—	—	—		
	71B14	70	85	105	11	11	11	11	11	11	11	11	11	11	11		
	63B5	95	115	140	—	—	—	—	—	—	—	9	9	9	9		
	63B14	60	75	90	—	—	—	—	—	—	—	—	—	—	—		
NMRV050	80B5	130	165	200	19	19	19	19	19	19	—	—	—	—	—		
	80B14	80	100	120	14	14	14	14	14	14	14	14	14	14	—		
	71B5	110	130	160	—	—	—	—	—	—	11	11	11	11	11		
	63B5	95	115	140	—	—	—	—	—	—	—	—	—	—	—		
NMRV063	90B5	130	165	200	24	24	24	24	24	24	—	—	—	—	—		
	90B14	95	115	140	19	19	19	19	19	19	19	19	—	—	—		
	80B5	130	165	200	—	—	—	—	—	—	14	14	14	14	14		
	80B14	80	100	120	—	—	—	—	—	—	—	—	—	—	—		
	71B5	110	130	160	—	—	—	—	—	—	—	—	—	—	—		
NMRV075	100/112B5	180	215	250	28	28	28	—	—	—	—	—	—	—	—		
	100/112B14	110	130	160	24	24	24	24	24	24	24	—	—	—	—		
	90B5	130	165	200	—	—	—	19	19	19	19	19	19	19	19		
	80B14	80	100	120	—	—	—	—	—	—	—	14	14	14	14		
	71B5	110	130	160	—	—	—	—	—	—	—	—	—	—	—		
NMRV090	100/112B5	180	215	250	28	28	28	28	28	28	—	—	—	—	—		
	100/112B14	110	130	160	24	24	24	24	24	24	24	24	—	—	—		
	90B5	130	165	200	—	—	—	—	—	—	—	—	19	19	19		
	90B14	95	115	140	—	—	—	—	—	—	—	—	—	—	—		
	80B5	130	165	200	—	—	—	—	—	—	—	—	—	—	—		
NMRV110	132B5	230	265	300	38	38	38	38	—	—	—	—	—	—	—		
	100/112B5	180	215	250	28	28	28	28	28	28	28	28	—	—	—		
	90B5	130	165	200	—	—	—	—	24	24	24	24	24	24	24		
NMRV130	80B5	130	165	200	—	—	—	—	—	—	—	—	—	19	19		
	132B5	230	265	300	38	38	38	38	38	38	38	—	—	—	—		
NMRV150	100/112B5	180	215	250	—	—	—	—	28	28	28	28	28	28	28		
	90B5	130	165	200	—	—	—	—	—	—	—	—	—	24	24		
NMRV150	160B5	250	300	350	42	42	42	42	—	—	—	—	—	—	—		
	132B5	230	265	300	—	—	—	38	38	38	38	38	—	—	—		
	100/112B5	180	215	250	—	—	—	—	—	—	—	—	28	28	28		

双联蜗轮减速器型号含义
Type meaning of the NMRV/NMRV



NMRV 050/110-900 E F1 AZ BS1

- 安装方位代号 Installation position code (详见第15页see page15)
- 输出轴位置 Position of output shaft
标注“GZ1”或“GZ2”为带单向输出轴 “GZ1”或“GZ2” means one-way output shaft
标注“AZ”为带双向输出轴 “AZ” means two-way output shaft
不标注为孔输出 no mark means hole output shaft
- 带输出法兰, 不标注时不带输出法兰 (详见第16页see page16)
With output Flange, no mark means without
- 蜗杆同向实心输出轴位置 Position of the extended output shaft
标注“E”为带同向输出轴; “E” means with the extended output shaft
不标注为不带 no mark means without
- 蜗轮减速器速比 ratio (i)
- 蜗轮减速器中心距 Centre-to-Centre spacing of worm-gear speed reducer
- 蜗轮减速器代号 Code of worm-gear speed reducer
NMRV为带输入法兰的孔输入, NRV为不带输入法兰的轴输入
NMRV mark means hole input shaft with input flange. NRV mark means solid input shaft without input flange



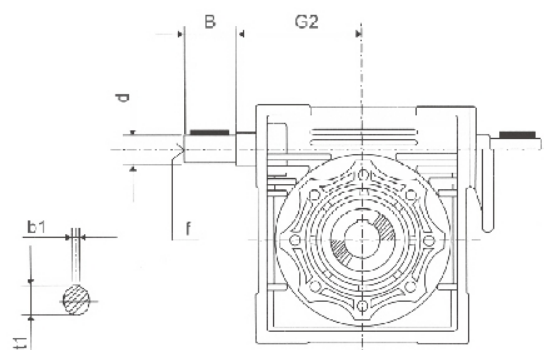
NMRV减速器可以组合为一个双联减速器, 其传动比即为第一级和第二级的传动比的乘积; 它可扩展为至 $i=300\sim3200$ 的范围。而它们的组合应使两个减速器的工况尽可能地达到一致; 因此, 第二级减速器的机座规格应大于第一级减速器的机座规格。

NMRV worm-gear speed reducers can be combined into a double-reducer, the gear ratio is the product of the first and second ratio; it can be extended to i (ratio) = 300 ~ 3200. And their combination should make two reducers to achieve the same working conditions as much as possible; therefore, the second reducer base specification should be greater than the first stage reducer base specifications.

外形安装尺寸 Outline & installation size

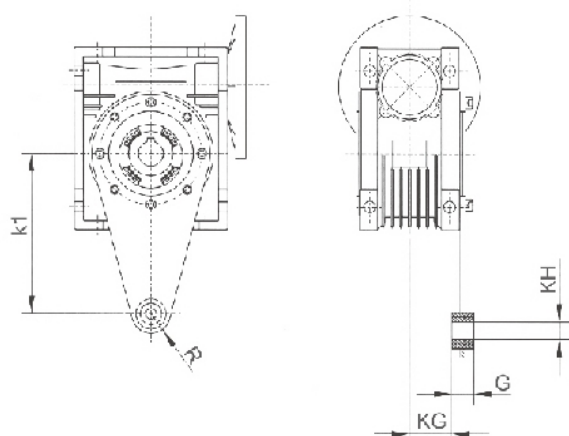


蜗杆轴入及同向输出轴尺寸 Sizes of the input shaft and the extended output shaft



NMRV	G2	d(j6)	B	f	b1	t1
030	45	9	20	—	3	10.2
040	53	11	23	—	4	12.5
050	64	14	30	M6	5	16
063	75	19	40	M6	6	21.5
075	90	24	50	M8	8	27
090	108	24	50	M8	8	27
110	135	28	60	M10	8	31
130	155	30	80	M10	8	33
150	175	35	80	M12	10	38

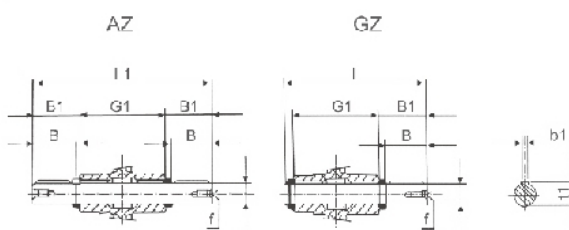
扭力臂 Torque arm



NMRV	K1	G	KG	KH	R
025	70	14	17.5	8	15
030	85	14	24	8	15
040	100	14	31.5	10	18
050	100	14	38.5	10	18
063	150	14	49	10	18
075	200	25	47.5	20	30
90	200	25	57.5	20	30
110	250	30	62	25	35
130	250	30	69	25	35
150	250	30	84	25	35

025和030无防震套
The anti-vibration bushing is not fitted on sizes 025 and 030

单向、双向输出轴尺寸 Sizes of one-way & two-way output shaft

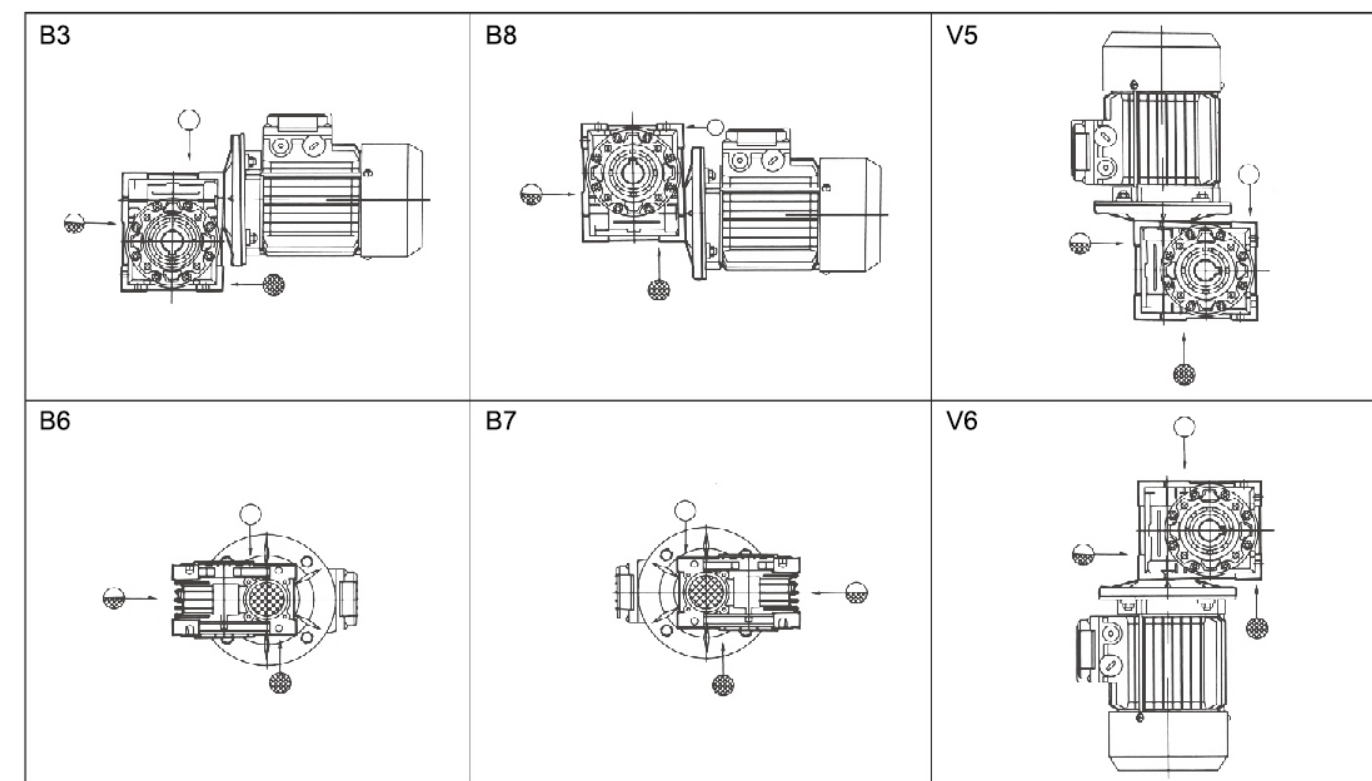


NMRV	d h6	B	B1	G1	L	L1	L	b1	T1
025	11	23	25.5	50	81	101		4	12.5
030	14	30	32.5	63	102	128	M6	5	16
040	18	40	43	78	128	164	M6	6	20.5
050	25	50	53.5	92	153	199	M10	8	28
063	25	50	53.5	112	173	219	M10	8	28
075	28	60	63.5	120	192	247	M10	8	31
90	35	80	84.5	140	234	309	M12	10	38
110	42	80	84.5	155	249	324	M16	12	45
130	45	80	85	170	265	340	M16	14	48.5
150	50	82	87	200	297	374	M16	14	53.5

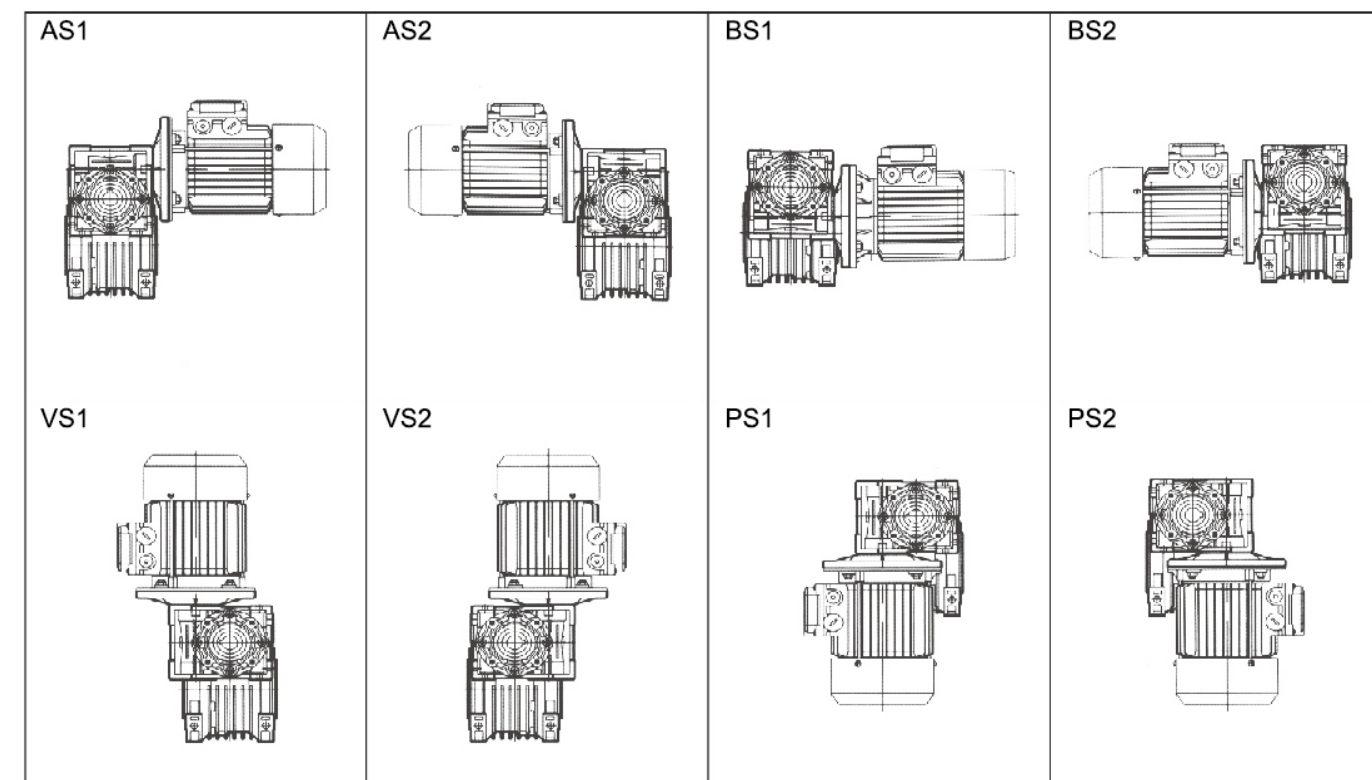
安装方位图 Installation position diagram



NMRV安装方位图 Mounting positions



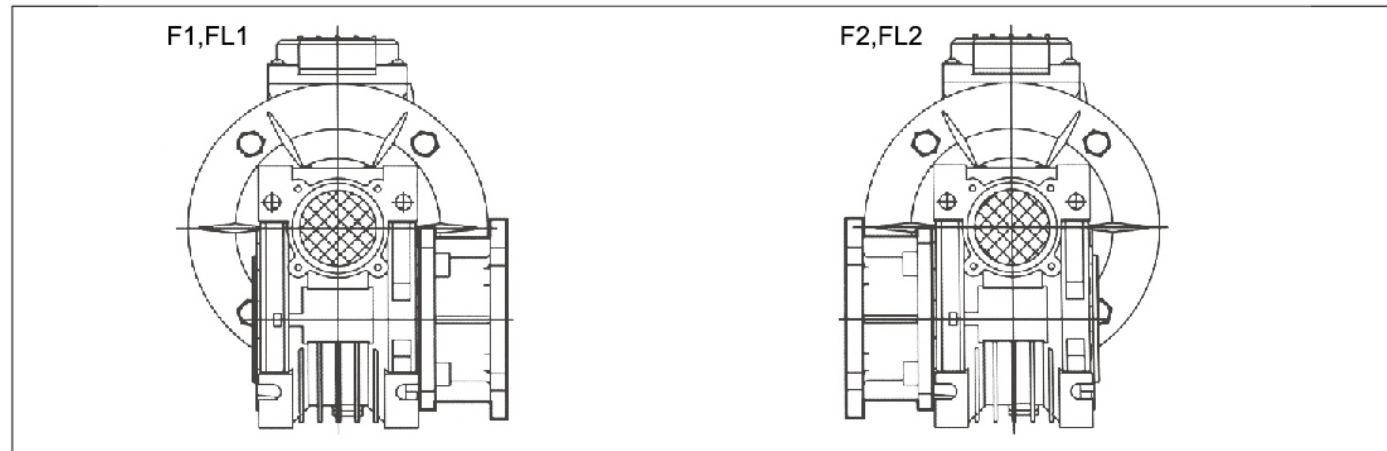
NMRV/NMRV安装方位图 Mounting positions



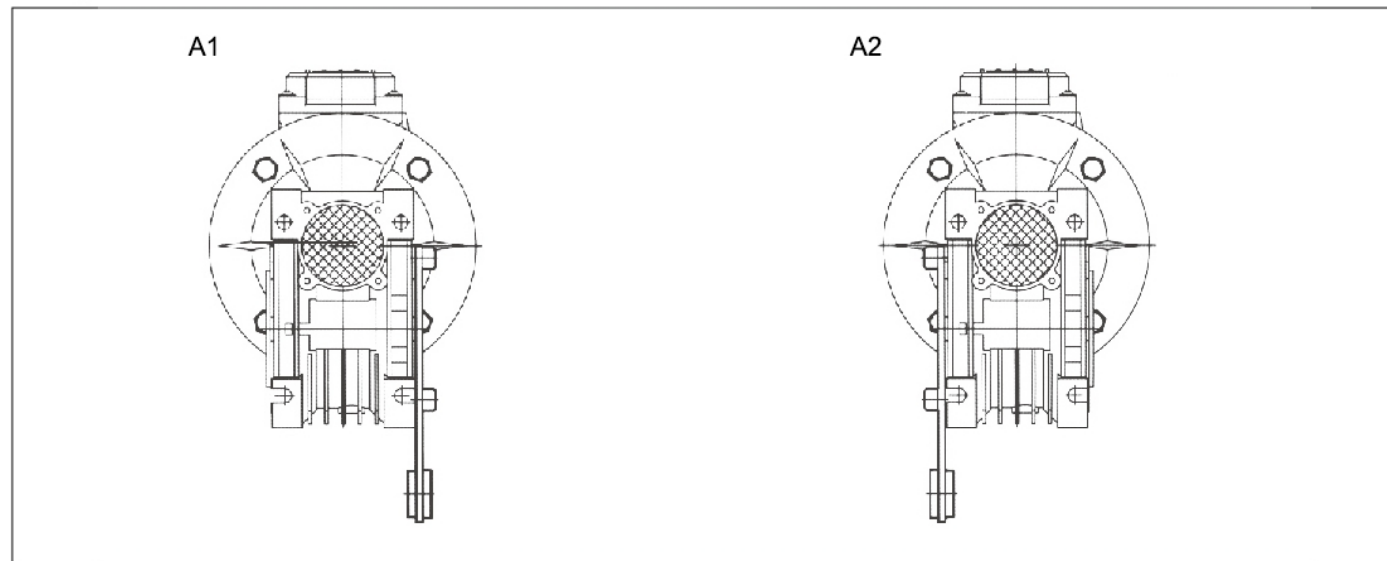
安装方位图 Installation position diagram



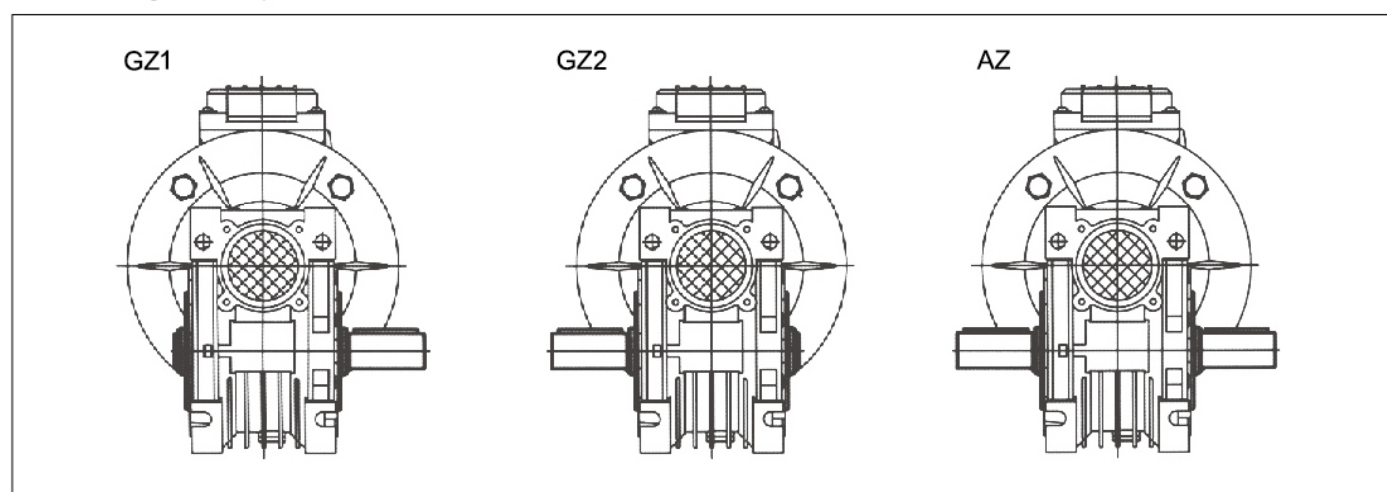
● 输出法兰位置(F,FL) Position diagram for output flange



● 扭力臂位置图(A) Torque arm



● 蜗轮输出轴位置图(GZ,AZ) Position diagram for output shaft



使用与保养 Installation position diagram



● 使用与保障 Operation & maintenance

- 蜗轮减速器开始运行400小时后,应重新更换润滑油。以后的换油周期约为4000小时。出厂时已加WA320/WA460润滑油。
 - 箱体内存留足够的润滑油,并定时检查。
1. When Worm-gear speed reducer starts to work up to 400hours, its lubrication oil should be replaced, after that, the cycle of oil replacement is fixed about 4,000 hours, it is full filled with WA320/WA460 lubrication oil.
2. Lubricating oil should be kept enough in the casing and checked at a fixed time.

润滑油 (公升) Q, ty of oil in litres									
安装方位 Mounting Positions	型号 Model								
	025	030	040	050	063	075	090	110	130
B3								3	4.5
B8								2.2	3.3
B6 B7	0.02	0.04	0.08	0.15	0.3	0.55	1	2.5	3.5
V5 V6								3	4.5

注: 安装方位见P.15 Mounting Positions P.15

● 润滑油的选择 Choice of Lubricant

NMRV系列蜗轮减速器 NMRV series worm-gear speed reducer		NMRV025-090	NMRV110-130		
环境温度 Ambient Temperature		-25°C~+50°C	-25°C~+50°C	-5°C~+40°C	-15°C~+25°C
ISO		VG320	VG320	VG460	VG220
国内使用 Used in Interior		WA320/WA460	WA320/WA460		
国外使用 Used in Foreign Countries		TELIUM VSF	MELLANA OIL320	MELLANA OIL460	MELLANA OIL220
		TIVELA OIL SC320	OMALA OIL320	OMALA OIL460	OMALA OIL220
		BLASIA S320	BLASIA 320	BLASIA 460	BLASIA 220
		S220	S220	SPARTAN EP460	SPARTAN EP220
		GLYGOYLE 30	MOBIL GEAR 320	MOBIL GEAR 634	MOBIL GEAR 630
		ALPHASYN PG 320	ALPHASYN PG 320	ALPHA MAX460	ALPHA MAX220
		ENERGOL SG-XP320	ENERGOL SG-XP320	ENERGOL SG-XP460	ENERGOL SG-XP220