

# PGM42-50K/42DM41

42mm OD Planetary Gearbox,  
Permissible Load Range: 0.5N.m~5.0N.m



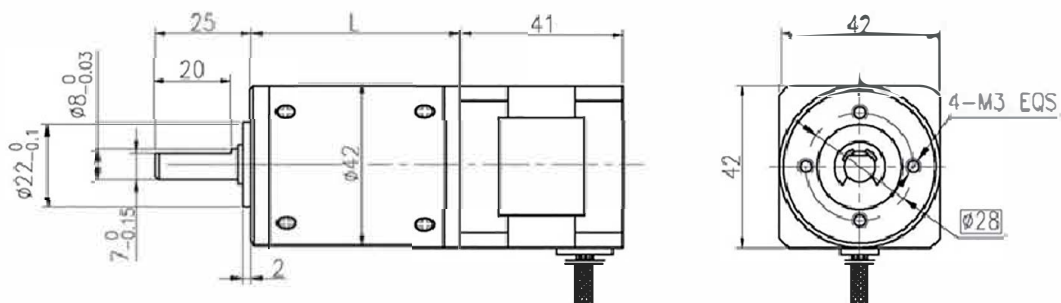
## BRUSHLESS MOTOR SPECIFICATION

TYPE	Number of poles	Number of phase	Rated voltage	No-load speed	Rated speed	Rated torque	Rated power	Peak torque	Peak current
			VDC	r/min	r/min	mN.m	W	mN.m	A
42DM41-2430	8	3	24	4000	3000	63	20	190	3.6

## BRUSHLESS GEAR MOTOR SPECIFICATION

Reduction ratio		3.8	4.9	15	19	24	56	71	91	116	212
Number of gear trains		1	1	2	2	2	3	3	3	3	4
Length(L)	mm	34.9	34.9	45.5	45.5	45.5	55.9	55.9	55.9	55.9	66.3
No-load speed	r/min	1047	820	267	211	167	71	56	44	34	19
Rated speed	r/min	785	615	200	158	125	54	42	33	26	14
Rated torque	N.m	0.22	0.28	0.77	1.0	1.2	2.6	3.3	4.2	5	5
Peak torque	N.m	1.5	1.5	6	6	6	12	12	12	12	15

## DIMENSIONS



## PGM42-50K/42DM51

42mm OD Planetary Gearbox,  
Permissible Load Range: 0.5N.m~5.0N.m



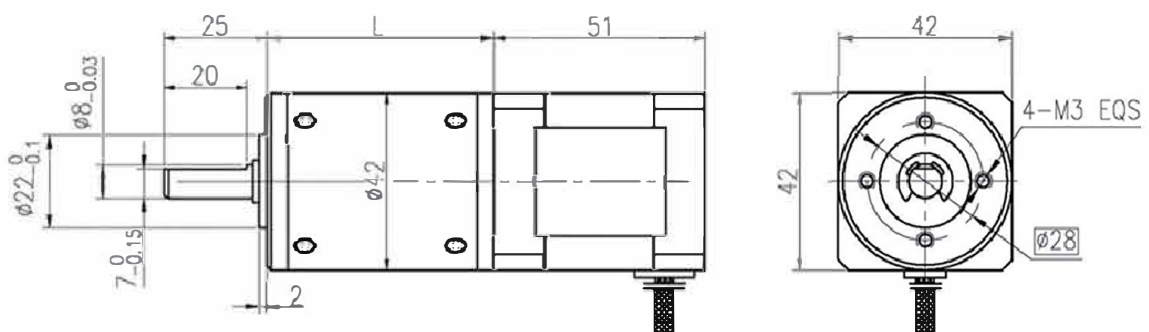
### BRUSHLESS MOTOR SPECIFICATION

TYPE	Number of poles	Number of phase	Rated voltage	No-load speed	Rated speed	Rated torque	Rated power	Peak torque	Peak current
			VDC	r/min	r/min	mN.m	W	mN.m	A
42DM51-2430	8	3	24	4000	3000	96	30	290	5.2

### BRUSHLESS GEAR MOTOR SPECIFICATION

Reduction ratio		3.8	4.9	15	19	24	56	71	91
Number of gear trains		1	1	2	2	2	3	3	3
Length(L)	mm	34.9	34.9	45.5	45.5	45.5	55.9	55.9	55.9
No-load speed	r/min	1047	820	267	211	167	71	56	44
Rated speed	r/min	785	615	200	158	125	54	42	33
Rated torque	N.m	0.33	0.42	1.2	1.5	1.9	3.9	5	5
Peak torque	N.m	1.5	1.5	6	6	6	12	12	12

### DIMENSIONS



# PGM42-50K/42DM61

42mm OD Planetary Gearbox,  
Permissible Load Range: 0.5N.m~5.0N.m



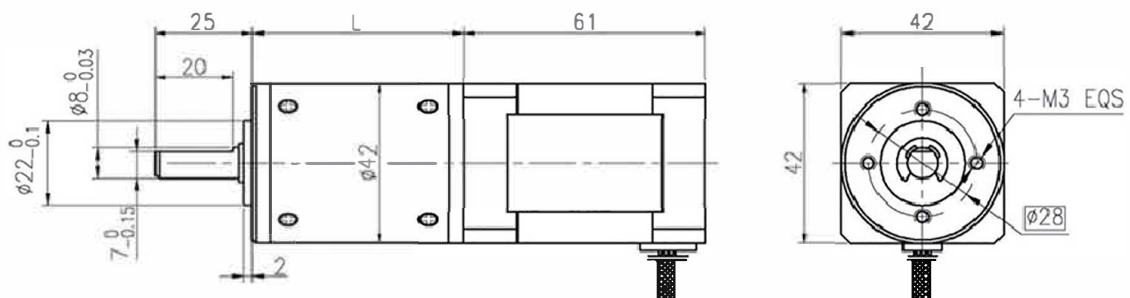
## BRUSHLESS MOTOR SPECIFICATION

TYPE	Number of poles	Number of phase	Rated voltage	No-load speed	Rated speed	Rated torque	Rated power	Peak torque	Peak current
			VDC	r/min	r/min	mN.m	W	mN.m	A
42DM61-2430	8	3	24	4000	3000	125	40	370	7

## BRUSHLESS GEAR MOTOR SPECIFICATION

Reduction ratio		3.8	4.9	15	19	24	56	71
Number of gear trains		1	1	2	2	2	3	3
Length(L)	mm	34.9	34.9	45.5	45.5	45.5	55.9	55.9
No-load speed	r/min	1047	820	267	211	167	71	66
Rated speed	r/min	785	615	200	158	125	54	42
Rated torque	N.m	0.43	0.55	1.5	1.9	2.4	5	5
Peak torque	N.m	1.5	1.5	6	6	6	12	12

## DIMENSIONS



# PGMT42-200K/42DM81

42mm OD Planetary Gearbox,  
Permissible Load Range: 1N.m~20N.m



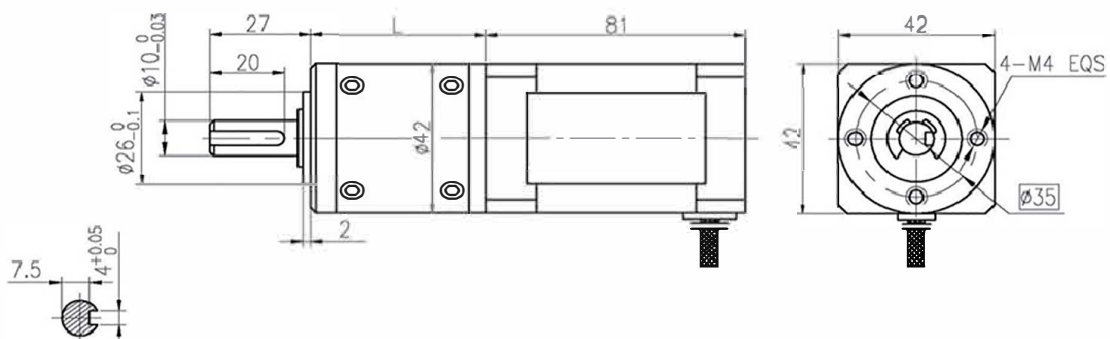
## BRUSHLESS MOTOR SPECIFICATION

TYPE	Number of poles	Number of phase	Rated voltage	No-load speed	Rated speed	Rated torque	Rated power	Peak torque	Peak current
			VDC	r/min	r/min	mN.m	W	mN.m	A
42DM81-2430	8	3	24	4000	3000	180	60	750	10

## BRUSHLESS GEAR MOTOR SPECIFICATION

Reduction ratio		17	22	65	83	106	247
Number of gear trains		2	2	3	3	3	4
Length(L)	mm	48.0	48.0	58.3	58.3	58.3	68.6
No-load speed	r/min	235	182	62	48	38	16
Rated speed	r/min	176	136	46	36	28	12
Rated torque	N.m	3.4	4.5	12	15	19	20
Peak torque	N.m	25	25	50	50	50	60

## DIMENSIONS



## PGM56-300K/57DM55

56mm OD Planetary Gearbox,  
Permissible Load Range: 3N.m~30N.m



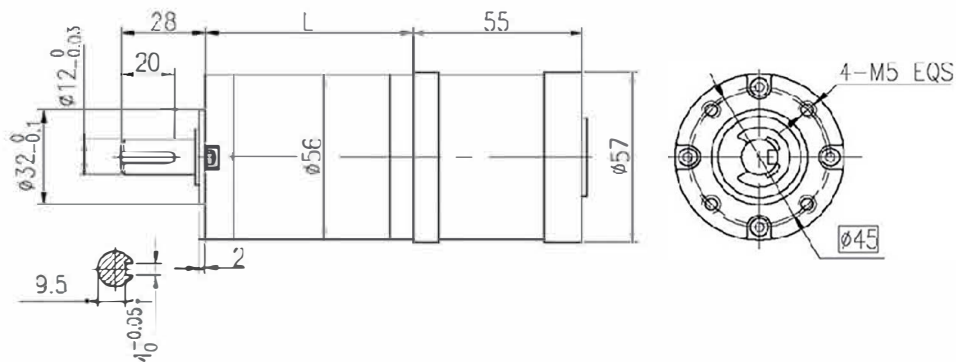
### BRUSHLESS MOTOR SPECIFICATION

TYPE	Number of poles	Number of phase	Rated voltage	No-load speed	Rated speed	Rated torque	Rated power	Peak torque	Peak current
			VDC	r/min	r/min	mN.m	W	mN.m	A
57DM55-2420	4	3	24	3000	2000	0.11	25	0.33	4.5

### BRUSHLESS GEAR MOTOR SPECIFICATION

Reduction ratio		13	15	18	23	47	55	65	77	96	121
Number of gear trains		2	2	2	2	3	3	3	3	3	3
Length(L)	mm	49.5	49.5	49.5	49.5	60.8	60.8	60.8	60.8	60.8	60.8
No-load speed	r/min	231	200	167	130	64	55	46	39	31	25
Rated speed	r/min	154	133	111	87	43	36	31	26	21	17
Rated torque	N.m	1.2	1.3	1.6	2.0	3.8	4.4	5.2	6.2	7.7	9.7
Peak torque	N.m	36	36	36	36	72	72	72	72	72	72

### DIMENSIONS



## PGM56-300K/57DM75

56mm OD Planetary Gearbox,  
Permissible Load Range: 3N.m~30N.m



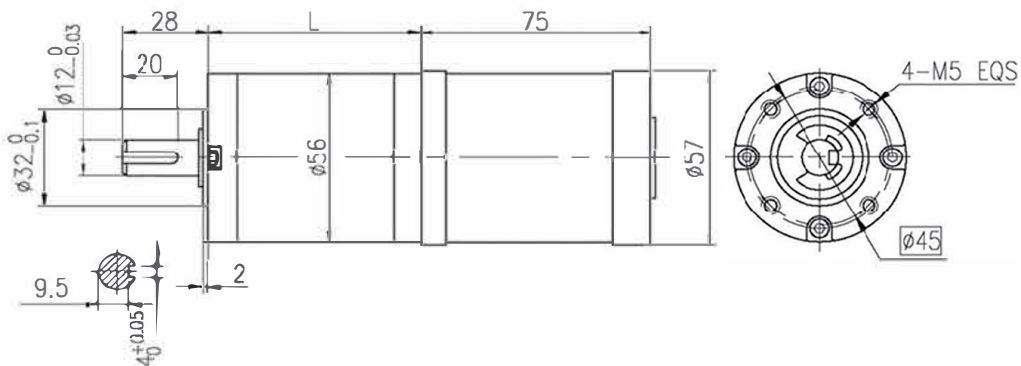
### BRUSHLESS MOTOR SPECIFICATION

TYPE	Number of poles	Number of phase	Rated voltage	No-load speed	Rated speed	Rated torque	Rated power	Peak torque	Peak current
			VDC	r/min	r/min	mN.m	W	mN.m	A
57DM75-2420	4	3	24	3000	2000	0.22	50	0.66	8

### BRUSHLESS GEAR MOTOR SPECIFICATION

Reduction ratio		3.6	4.25	13	15	18	23	47	55	65	77
Number of gear trains		1	1	2	2	2	2	3	3	3	3
Length(L)	mm	37.8	37.8	49.5	49.5	49.5	49.5	60.8	60.8	60.8	60.8
No-load speed	r/min	833	706	231	200	167	130	64	55	46	39
Rated speed	r/min	556	471	154	133	111	87	43	36	31	26
Rated torque	N.m	0.71	0.84	2.3	2.7	3.2	4.1	7.5	8.8	10	12
Peak torque	N.m	9	9	36	36	36	36	72	72	72	72

### DIMENSIONS



## PGM56-300K/57DM95

56mm OD Planetary Gearbox,  
Permissible Load Range: 3N.m~30N.m



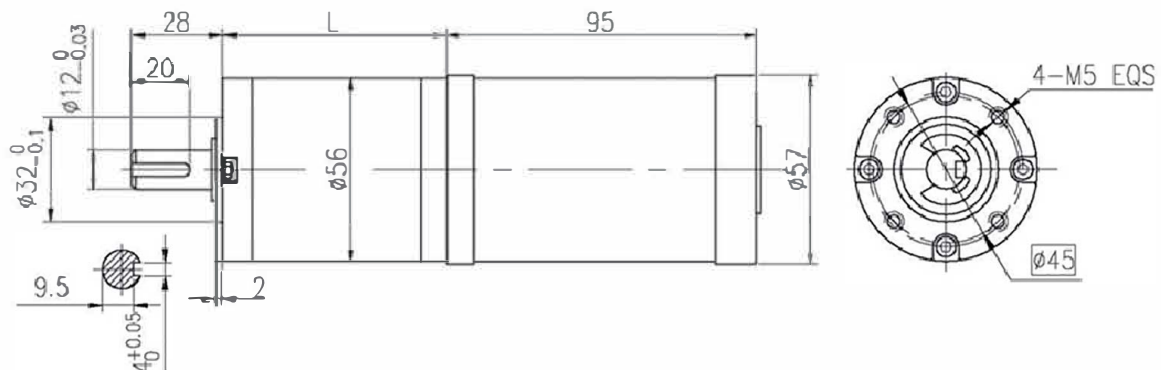
### BRUSHLESS MOTOR SPECIFICATION

TYPE	Number of poles	Number of phase	Rated voltage	No-load speed	Rated speed	Rated torque	Rated power	Peak torque	Peak current
			VDC	r/min	r/min	mN.m	W	mN.m	A
57DM95-2420	4	3	24	3000	2000	0.32	70	0.96	12

### BRUSHLESS GEAR MOTOR SPECIFICATION

Reduction ratio		3.6	4.25	13	15	18	23	47	55	65	77
Number of gear trains		1	1	2	2	2	2	3	3	3	3
Length(L)	mm	37.8	37.8	49.5	49.5	49.5	49.5	60.8	60.8	60.8	60.8
No-load speed	r/min	833	706	231	200	167	130	64	55	46	39
Rated speed	r/min	556	471	154	133	111	87	43	36	31	26
Rated torque	N.m	1.0	1.2	3.4	3.9	4.7	6.0	11	13	15	18
Peak torque	N.m	9	9	36	36	36	36	72	72	72	72

### DIMENSIONS



## PGM56-300K/57DM115

56mm OD Planetary Gearbox,  
Permissible Load Range: 3N.m~30N.m



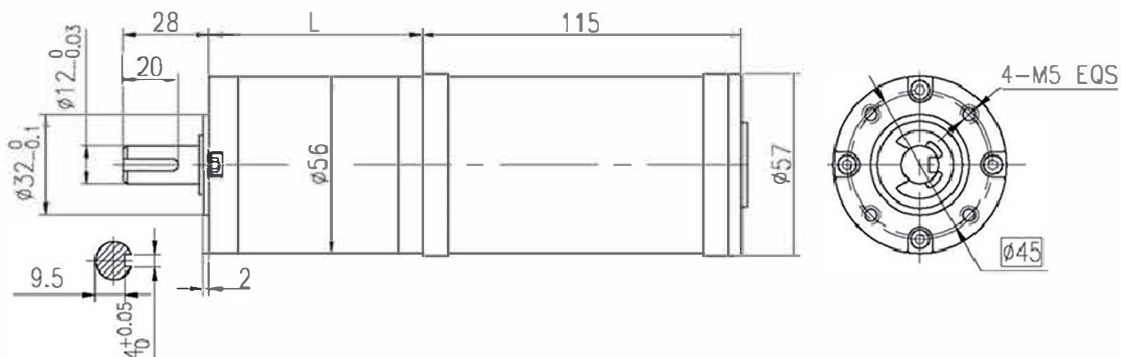
### BRUSHLESS MOTOR SPECIFICATION

TYPE	Number of poles	Number of phase	Rated voltage	No-load speed	Rated speed	Rated torque	Rated power	Peak torque	Peak current
			VDC	r/min	r/min	mN.m	W	mN.m	A
57DM115-2420	4	3	24	3000	2000	0.43	90	1.29	16

### BRUSHLESS GEAR MOTOR SPECIFICATION

Reduction ratio		3.6	4.25	13	15	18	23	47	55	65	77
Number of gear trains		1	1	2	2	2	2	3	3	3	3
Length(L)	mm	37.8	37.8	49.5	49.5	49.5	49.5	60.8	60.8	60.8	60.8
No-load speed	r/min	833	706	231	200	167	130	64	55	46	39
Rated speed	r/min	556	471	154	133	111	87	43	36	31	26
Rated torque	N.m	1.4	1.6	4.5	5.2	6.3	8.0	15	17	20	24
Peak torque	N.m	9	9	36	36	36	36	72	72	72	72

### DIMENSIONS





# PGM56-300K/57DMH55

56mm OD Planetary Gearbox,  
Permissible Load Range: 3N.m~30N.m



## BRUSHLESS MOTOR SPECIFICATION

TYPE	Number of poles	Number of phase	Rated voltage	No-load speed	Rated speed	Rated torque	Rated power	Peak torque	Peak current
			VDC	r/min	r/min	mN.m	W	mN.m	A
57DMH55-2413	4	3	24	2000	1300	0.15	20	0.4	3.5
57DMH55-2422	4	3	24	3000	2250	0.15	35	0.4	6.3

## BRUSHLESS GEAR MOTOR SPECIFICATION

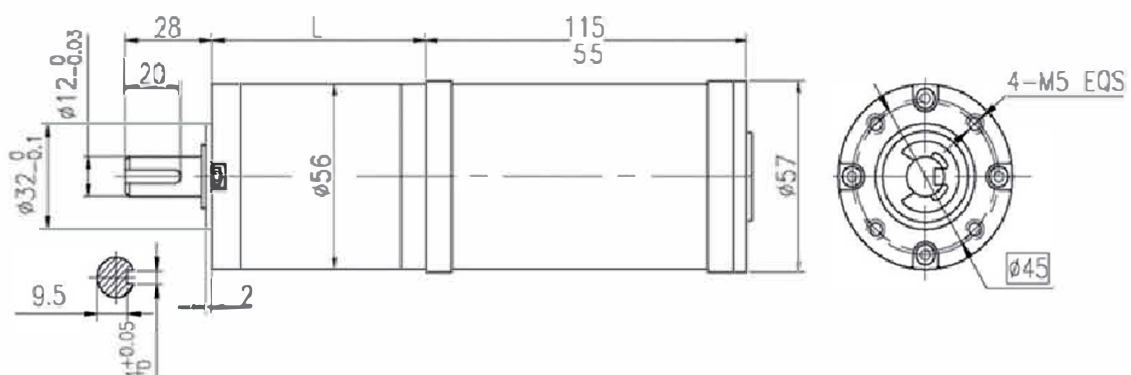
57DMH55-2413

Reduction ratio		13	15	18	23	47	55	65	77	96	121
Number of gear trains		2	2	2	2	3	3	3	3	3	3
Length(L)	mm	49.5	49.5	49.5	49.5	60.8	60.8	60.8	60.8	60.8	60.8
No-load speed	r/min	154	133	111	87	43	36	31	26	21	17
Rated speed	r/min	100	87	72	57	28	24	20	17	14	11
Rated torque	N.m	1.5	1.8	2.1	2.6	5.1	6	7	8.4	10.5	13.2
Peak torque	N.m	36	36	36	36	72	72	72	72	72	72

57DMH55-2422

Reduction ratio		13	15	18	23	47	55	65	77	96	121
Number of gear trains		2	2	2	2	3	3	3	3	3	3
Length(L)	mm	49.5	49.5	49.5	49.5	60.8	60.8	60.8	60.8	60.8	60.8
No-load speed	r/min	231	200	167	130	64	55	46	39	31	25
Rated speed	r/min	173	150	125	98	48	41	35	29	23	19
Rated torque	N.m	1.5	1.8	2.1	2.6	5.1	6	7	8.4	10.5	13.2
Peak torque	N.m	36	36	36	36	72	72	72	72	72	72

## DIMENSIONS



## PGM56-300K/57DMH75

56mm OD Planetary Gearbox,  
Permissible Load Range: 3N.m~30N.m



### BRUSHLESS MOTOR SPECIFICATION

TYPE	Number of poles	Number of phase	Rated voltage	No-load speed	Rated speed	Rated torque	Rated power	Peak torque	Peak current
			VDC	r/min	r/min	mN.m	W	mN.m	A
57DMH75-2412	4	3	24	2000	1200	0.30	40	0.90	7.9
57DMH75-2420	4	3	24	3000	2000	0.30	65	0.90	13.1

### BRUSHLESS GEAR MOTOR SPECIFICATION

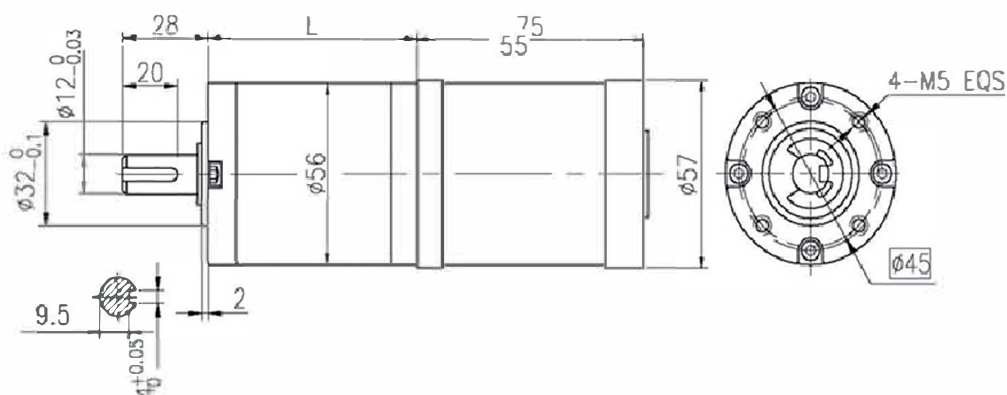
57DMH75-2412

Reduction ratio		3.6	4.25	13	15	18	23	47	55	65	77
Number of gear trains		1	1	2	2	2	2	3	3	3	3
Length(L)	mm	37.8	37.8	49.5	49.5	49.5	49.5	60.8	60.8	60.8	60.8
No-load speed	r/min	556	471	154	133	111	87	43	36	31	26
Rated speed	r/min	333	282	92	80	67	52	26	22	18	16
Rated torque	N.m	0.97	1.2	3.2	3.7	4.4	5.6	10	12	14	17
Peak torque	N.m	9	9	36	36	36	36	72	72	72	72

57DMH75-2420

Reduction ratio		3.6	4.25	13	15	18	23	47	55	65	77
Number of gear trains		1	1	2	2	2	2	3	3	3	3
Length(L)	mm	37.8	37.8	49.5	49.5	49.5	49.5	60.8	60.8	60.8	60.8
No-load speed	r/min	833	706	231	200	167	130	64	55	46	39
Rated speed	r/min	556	471	154	133	111	87	43	36	31	26
Rated torque	N.m	0.97	1.2	3.2	3.7	4.4	5.6	10	12	14	17
Peak torque	N.m	9	9	36	36	36	36	72	72	72	72

### DIMENSIONS



## PGM56-300K/57DMH95

56mm OD Planetary Gearbox,  
Permissible Load Range: 3N.m~30N.m



### BRUSHLESS MOTOR SPECIFICATION

TYPE	Number of poles	Number of phase	Rated voltage	No-load speed	Rated speed	Rated torque	Rated power	Peak torque	Peak current
			VDC	r/min	r/min	mN.m	W	mN.m	A
57DMH95-2412	4	3	24	2000	1270	0.40	53	1.20	11.2
57DMH95-2420	4	3	24	3000	2000	0.40	90	1.20	17.5

### BRUSHLESS GEAR MOTOR SPECIFICATION

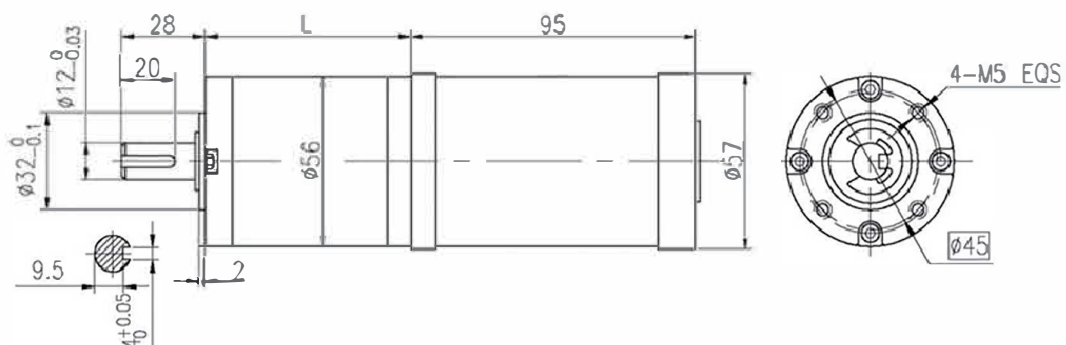
57DMH95-2412

Reduction ratio		3.6	4.25	13	15	18	23	47	55	65	77
Number of gear trains		1	1	2	2	2	2	3	3	3	3
Length(L)	mm	37.8	37.8	49.5	49.5	49.5	49.5	60.8	60.8	60.8	60.8
No-load speed	r/min	556	471	154	133	111	87	43	36	31	26
Rated speed	r/min	353	299	98	85	71	55	27	23	20	16
Rated torque	N.m	1.3	1.5	4.2	4.9	5.8	7.5	14	16	19	23
Peak torque	N.m	9	9	36	36	36	36	72	72	72	72

57DMH95-2420

Reduction ratio		3.6	4.25	13	15	18	23	47	55	65	77
Number of gear trains		1	1	2	2	2	2	3	3	3	3
Length(L)	mm	37.8	37.8	49.5	49.5	49.5	49.5	60.8	60.8	60.8	60.8
No-load speed	r/min	833	706	231	200	167	130	64	55	46	39
Rated speed	r/min	556	471	154	133	111	87	43	36	31	26
Rated torque	N.m	1.3	1.5	4.2	4.9	5.8	7.5	14	16	19	23
Peak torque	N.m	9	9	36	36	36	36	72	72	72	72

### DIMENSIONS



# PGMZ62/86DM80

Helical planetary gear box  
Permissible Load Range: 0.45N.m~50N.m



## BRUSHLESS MOTOR SPECIFICATION

TYPE	Number of poles	Number of phase	Rated voltage	No-load speed	Rated speed	Rated torque	Rated power	Peak torque	Peak current
			VDC	r/min	r/min	N.m	W	mN.m	A
86DM80-4830	8	3	48	3600	3000	1	300	3.0	8.6

## BRUSHLESS GEAR MOTOR SPECIFICATION

Reduction ratio		3.65	5.36	6.55	8.63	14	19	25	28	34	45
Number of gear trains		1	1	1	1	2	2	2	2	2	2
Length(L)	mm	45.1	45.1	45.1	45.1	62.70	62.70	62.70	62.70	62.70	62.70
No-load speed	r/min	986	671	550	417	257	189	144	129	106	80
Rated speed	r/min	822	560	458	348	214	158	120	107	88	67
Rated torque	N.m	3.2	4.8	5.8	6.9	11.2	15.2	20	22.4	25	25
Peak torque	N.m	15	15	15	15	50	50	50	50	50	50

Reduction ratio		58	67	81	91	103	119	128	146	165	192
Number of gear trains		2	3	3	3	3	3	3	3	3	3
Length(L)	mm	62.70	80.30	80.30	80.30	80.30	80.30	80.30	80.30	80.30	80.30
No-load speed	r/min	62	54	44	40	35	30	28	25	22	19
Rated speed	r/min	52	45	37	33	29	25	23	21	18	16
Rated torque	N.m	25	45	50	50	50	50	50	50	50	50
Peak torque	N.m	50	100	100	100	100	100	100	100	100	100

## DIMENSIONS

